

Wave hot&cold. Built-in water dispenser

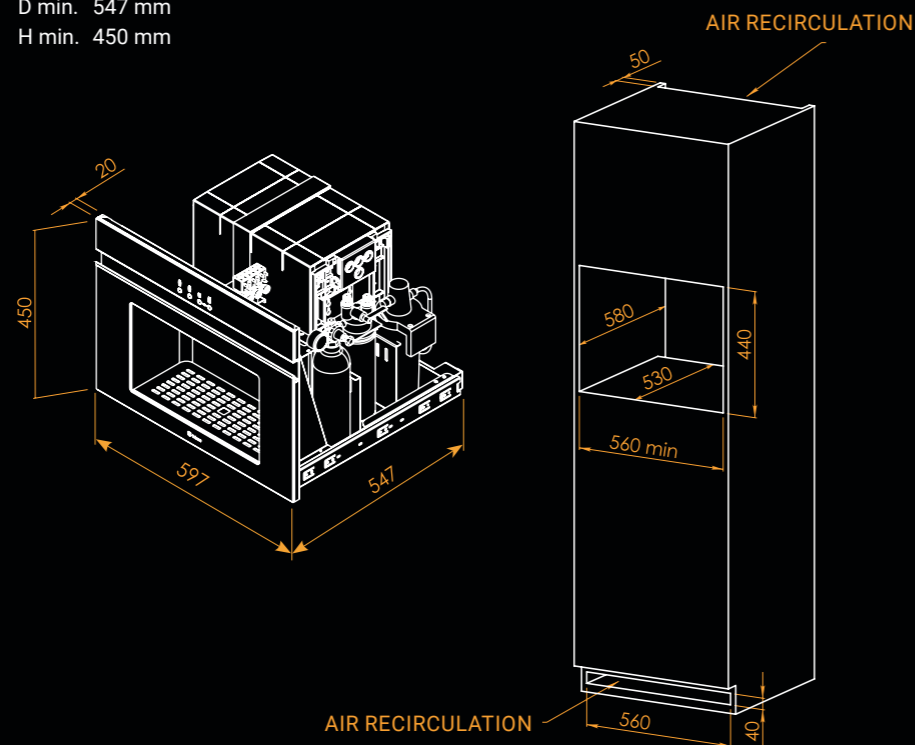


Technical details

- Wave delivers four types of microfiltered water: room temperature, chilled, chilled carbonated, and hot at 85°C.
- Wave is available built-in, 45 cm high.
- Wave controls are soft-touch technology, totally without buttons.
- Wave comes with a disposable CO2 cylinder (standard) and can also be used with rechargeable cylinder.
- Inside Wave there is a disposable CO2 cylinder which must be periodically changed. The carbon dioxide consumption depends on the degree of sparkle used for the water.
- Wave is available in stainless steel, black glass, De Castelli finishes.

Built-in Wave Hot&Cold

W min. 597 mm
D min. 547 mm
H min. 450 mm



Finishes

All Wave models can be customized with the following finishes: stainless steel, black glass, De Castelli finishes.

Technical specifications

Technical specifications	Wave 45 Hot&Cold
Compressor Power	1/11Hp
Voltage	230 V - 1Ph - 50/60 Hz
Chilled and sparkling water production	15 l/h
Adjustable carbonation system	min.-max 2÷3,5 bar
Adjustable cold water temperature	da 5 a 12°C
Adjustable cold water temperature	85°C +/- 1°C
Water inlet pressure	2÷3,5 bar
Max. absorbed power	810 W
Capacity of disposable CO2	600 g
Filter duration	Lt. 2.700/1 year (Lt. 1700/6 months)
Net weight of built-in machine	35 kg
Refrigerant gas	R600

Standard accessories: NSF class 1 certified filter (cold line) / 1 NSF filter (hot line) / 1 600 gr disposable CO2 cylinder/ 8 mm food hose for water connection with 3/4" F connection/ Anti-flooding device/ Shut-off valve.

Installation requirements

The appliance comes with a power cord (1.5 m long) and Schuko plug. A power supply and water inlet are required for fitting. A polyethylene food-grade tube is provided, with 3/4" F connector.

For the built-in version on tall units, fit the pull-out runners on the internal side panels of the cabinet. It is essential to leave at least 50 mm clearance at the back of the cabinet from the top to the bottom of the tall unit.

Fit the appliance away from heat sources, ovens or other appliances that produce heat or require the circulation of large amounts of air. Pull the appliance out of its position for periodical maintenance.

Check the filters and CO2 cylinder regularly. The filter (cold line) inside the appliance lasts 2700 litres or 1 year. The filter (hot line) lasts 6 months. When the filters are exhausted, the water supply is not interrupted, however, a prior warning signal of filter change takes place.

Wave houses a disposal CO2 cylinder which must be replaced as and when necessary. The amount of carbon dioxide used depends on the level of sparkle chosen for the water.

On request the system can be prepared for the use of a 4 kg rechargeable external CO2 cylinder with a 3.5 m connecting pipe.

